

ZMDF-XL Midi Xenon Flasher



The Midi Xenon flasher is a compact xenon flasher designed to fit a 1 gang backbox.

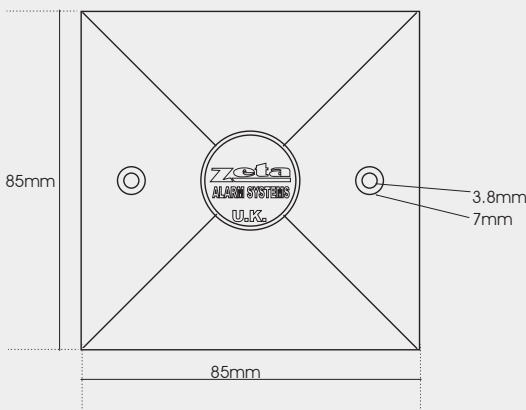
It comes supplied with a backbox for surface mounting, but it can be flush mounted to the wall.

It has a 1 watt tube and a flash rate of 2 per second.

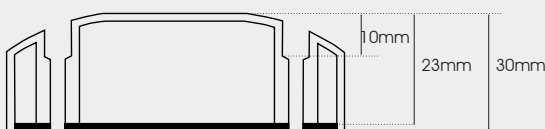
Available in Red, Amber, Green, Clear & Blue.

This product is CE marked.

FRONT VIEW - LENS ONLY



SIDE VIEW - LENS & BACK PLATE



MODEL	ZMDF/ XL	ZMDF/ XLA	ZMDF/ XLB	ZMDF/ XLC	ZMDF/ XLG
PART NO	42-044	42-044A	42-044B	42-044C	42-044G
COLOUR	RED	AMBER	BLUE	CLEAR	GREEN
INPUT VOLTAGE	18 - 30V DC				
QUIESCENT CURRENT	0 mA				
ALARM CURRENT	80mA @ 24V DC				
FLASH RATE	2 PER SECOND				
POWER	1 WATT				
LINE MONITORING	POLARISED				
OPERATING TEMP.	-0° C to 50° C				
MAX. HUMIDITY	95% RH N/C				
IP RATING	IP 43				
SIZE (inc b/box) WxHxD mm	85 x 85 x 30 (62)				
WEIGHT (inc b/box)	93 g (144g)				