

ZT-50RZ, ZT-100RZ, ZT-50RV & ZT-100RV Fyreye 50/100 Reflective Beam Smoke Detector

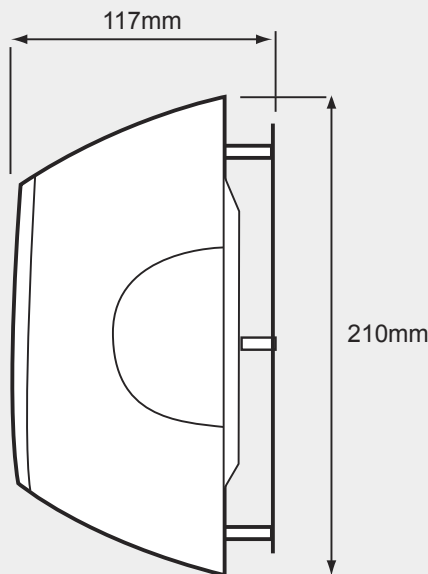


The Fyreye Reflective Beam Detector generally used for 2 reasons; to cover a wide-open space, or in places where several regular smoke detectors would be aesthetically unacceptable.

The detector comprises a single unit incorporating an Infra-red transmitter and receiver. The signal is reflected by a prism and analysed for smoke presence. Should a predetermined level be reached, the detector will signal an alarm.

The system is designed to be mounted so that the beam will project between 0.3 and 0.6 metres below the ceiling, and parallel to it. Lateral detection may be up to 7.5 metres either side of the beam. Beam detectors are

Available types:
 2 wire models (ZT-50RZ / ZT-100RZ). These are zone powered, but will only work on Premier SX & Premier M+ panels
 4 wire models (ZT-50RV / ZT-100RV). Requires an external 24V supply. Has a fire relay and fault relay output for wide compatibility.



MODEL	ZT-50RZ	ZT-100RZ	ZT-50RV	ZT-100RV
PART NO	47-050	47-051	47-050A	47-051A
RANGE	5-50m	50-100m	5-50m	50-100m
NUMBER OF WIRES	2		4	
SUPPLY VOLTAGE	10.2Vdc to 30Vdc		10.2Vdc to 30Vdc	
QUIESCENT CURRENT	<4mA		<4mA	
OPERATING TEMPERATURE	-30°C to 55°C		-30°C to 55°C	
MAX HUMIDITY	95% RH N/C			
MAX WIND SPEED	Not affected			
ALARM CURRENT	35 mA (Typical)		<15 mA	
FIRE OUTPUT	470 ohm resistor placed across zone internally		Fire relay closing (relay contact is normally open)	
FAULT OUTPUT	Schottky Diode introduced between -VE in & -VE out		Fault relay opening (relay contact is normally closed).	
POWER DOWN RESET	<2 seconds		>5 seconds	
BEAM MISALIGNMENT TOLERANCE AT 35%	Detector ± 0.8° Prism ± 5.0°			
ALARM THRESHOLDS	2.50dB (25%), 3.74dB (35%), 6.02dB (50%)			
OPTICAL WAVELENGTH	880nm			
CONSTRUCTION	Flame Retardant ABS (Grey /Black) IP50			
DETECTOR SIZE	130mm (W) x 210mm (H) x 120mm (D)			
WEIGHT	0.75 kg		0.7 kg	